

## SR MODULE

SR-M660250 SR-M660245  
 SR-M660240 SR-M660235  
 SR-M660230 SR-M660225  
 SR-M660220 SR-M660215



### STRENGTHS

- Tolerance  $\pm 1.5\%$
- Plug & Play Connectors
- High Transmission, Low Iron Tempered Glass
- Bypass Diodes Protection

### WARRANTY

- Manufacturing: 5 years
- Power production: 90%: 10years  
80%: 25years

### CERTIFICATIONS



## SPECIFICATIONS

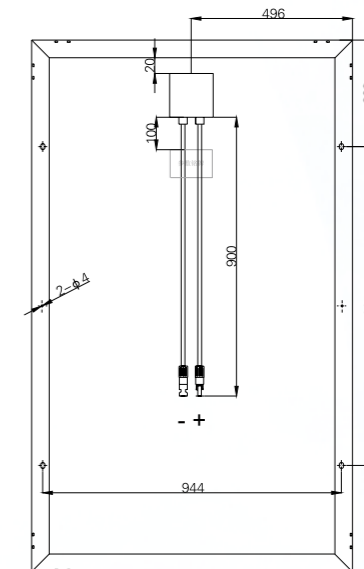
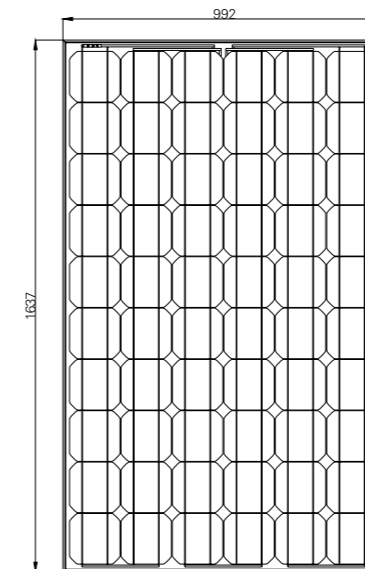
Module Type		SR-M660250	SR-M660245	SR-M660240	SR-M660235	SR-M660230	SR-M660225	SR-M660220	SR-M660215
		250W	245W	240W	235W	230W	225W	220W	215W
Maximum Power	Pm(W)	254.9	249.9	244.9	239.9	234.9	229.9	224.9	219.9
Tolerance	(%)	$\pm 1.5$	$\pm 1.5$	$\pm 1.5$	$\pm 1.5$	$\pm 1.5$	$\pm 1.5$	$\pm 1.5$	$\pm 1.5$
Open Circuit Voltage	Voc(V)	38.00	37.78	37.56	37.50	37.32	37.02	36.96	36.84
Short Circuit Current	Isc(A)	8.40	8.34	8.29	8.26	8.18	8.11	8.09	8.05
Maximum Power Voltage	Vm(V)	31.49	31.35	31.20	30.96	30.48	30.00	29.82	29.70
Maximum Power Current	Im(A)	7.94	7.82	7.69	7.59	7.55	7.50	7.38	7.24
Module Efficiency	(%)	15.30	14.95	14.65	14.35	14.04	13.74	13.43	13.13
Solar Cell Efficiency	(%)	17.63	17.22	16.88	16.63	16.13	15.63	15.38	15.13
Cell Type	(mm)	156x156 (Mono-Crystalline Silicon)							
Number of Cells	(Pcs)	60							
Maximum System Voltage	(V)	DC1000							
Temp. Coeff. of Voc	(%/°C)	-0.31							
Temp. Coeff. of Isc	(%/°C)	0.03							
Temp. Coeff. of Pm	(%/°C)	-0.37							
Operating Temperature	(°C)	-40 to 85							
Nominal Operating Cell Temperature(NOCT)	(°C)	45 $\pm$ 2							
Max.Series Fuse	(A)	15							
Insulation	(M $\Omega$ )	50							
Wind Bearing	(Pa)	$\leq 5400$							
Pressure Bearing	(Pa)	$\leq 2400$							

STC(Standard Test Conditions): 1000W/m<sup>2</sup> AM=1.5 25°C

## SR MODULE

SR-M660250 SR-M660245 SR-M660240 SR-M660235 SR-M660230 SR-M660225 SR-M660220 SR-M660215

## PHYSICAL CHARACTERISTICS Unit:mm



Dimensions	(mm)	1637x992x48
Weight	(kg)	20

Quantity/Pallet	40 pcs/pallet
Loading Capacity	240 pcs/20ft container
	520 pcs/40ft container

## ELECTRICAL CHARACTERISTICS

